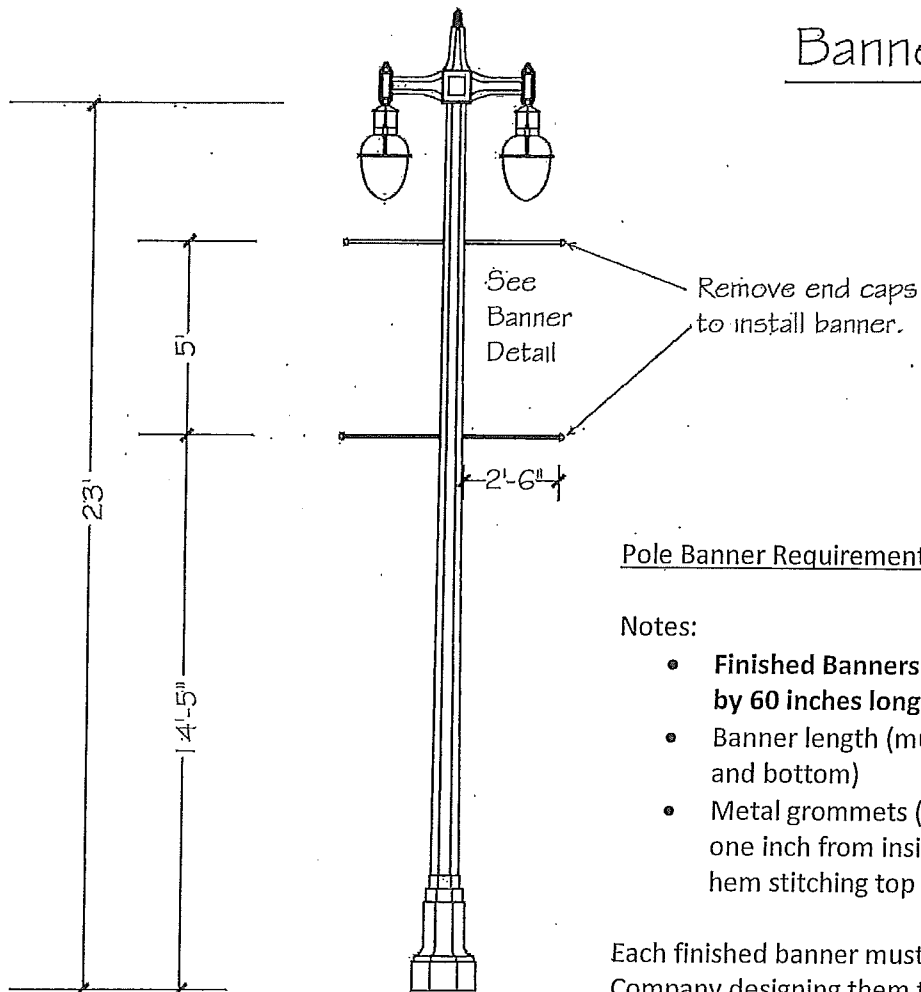


Banner Detail



Pole Banner Requirements

Notes:

- Finished Banners must measure 30 inches wide by 60 inches long
- Banner length (must include 4 inch hems top and bottom)
- Metal grommets (1/2" in size) must be placed one inch from inside edge (pole side) close to hem stitching top and bottom

Each finished banner must be measured by the Company designing them to ensure size and design requirements are met. Banners not made to specification will not be hung.

UNIFORM STANDARD

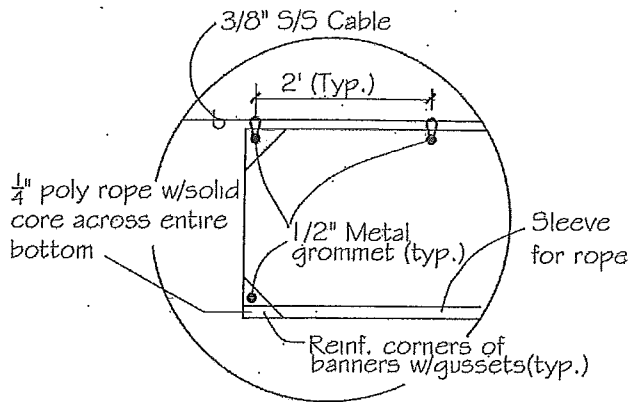


CITY OF SAN RAFAEL
Phone (415) 485-3383
Fax (415) 485-3173

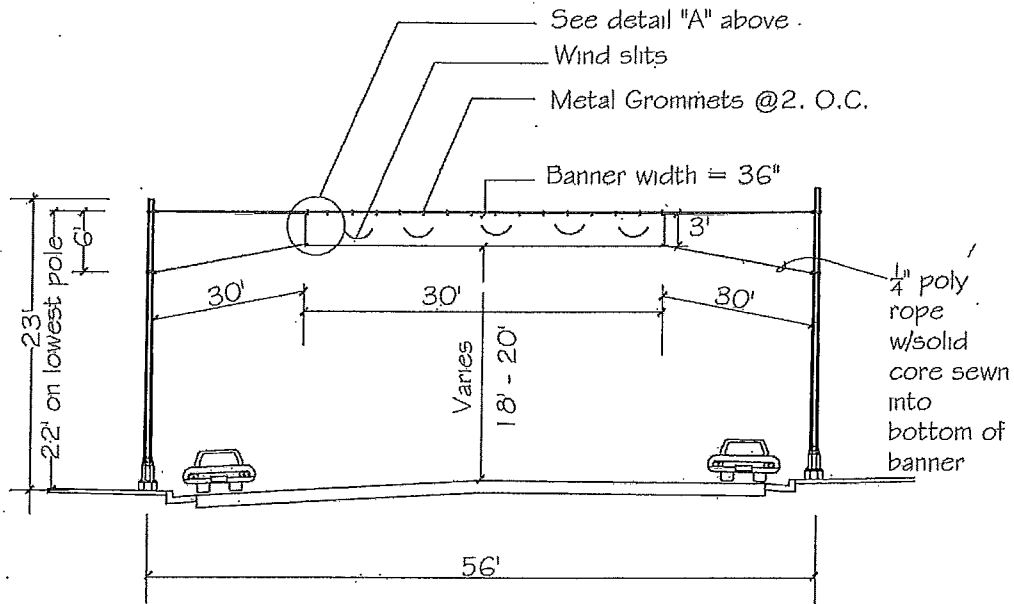
Light Pole
Banners

Date
May, 1998

Dwg. No.
29



DETAIL A



UNIFORM STANDARD



CITY OF SAN RAFAEL
 Phone (415) 485-3383
 Fax (415) 485-3175

Banner Plan
 & Specifications
 Sheet 1 of 2

Date
 January 2005

Dwg. No.
 30 a

NOTES

Banner shall be 30 feet in length and 36 inches wide, with reinforced corners, grommets across the top, and rope sewn into the bottom.

Metal Grommets. Install grommets in all four corners of banner, then place a $\frac{1}{2}$ " size metal grommet every 2 feet on the top of the banner. (18 total grommet holes across top, spaced every 2 feet).

Wind Slits. The banner must be made of a sturdy material with holes cut in it for the wind to flow through. The recommendation is 7" flaps placed at least every 4 feet. If smaller flaps are necessary to avoid writing or graphics, then more flaps should be used. Less wind resistance means less stress on the banner.

Reinforcing. Reinforce banner with double gussets (to achieve triple thickness) at all 4 corners. This is where most banners fail, so sufficient reinforcement will help prevent tearing and make the banner last longer.

Ropes. $\frac{1}{4}$ " poly rope with a solid core should be sewn into a sleeve along the bottom of the banner, with 30 feet of excess rope extending on both sides (total length of bottom rope should be 90 feet). Secure the bottom rope to the banner to prevent sliding.

All banners must be ready to hang with all rope included. Installers will attach clips.

A banner not properly prepared will not be hung until corrected by the applicant.

Banner text, materials and colors shall be reviewed and approved by the City before installation.

UNIFORM STANDARD



CITY OF SAN RAFAEL
Phone (415) 485-3383
Fax (415) 485-3175

Banner Plan & Specifications

Sheet 2 of 2

Date

January 2005

Dwg. No.

30 b